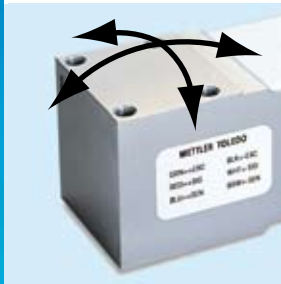


Steel Single Point Platform Size 1000x1000 mm



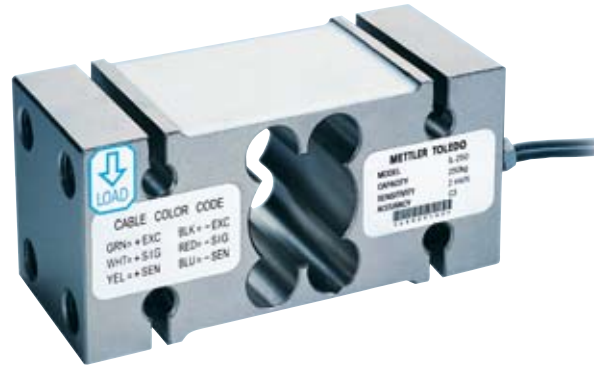
Tank and Hoppers

IL provides the best weighing performance for smaller tanks and wall mounted hoppers. Due to its mounting schema it can be easily used for general bin weighing as well.



Off-Center compensation

One load cell can be used to support a weighing platform and, due to the off-center load compensation, the IL will weigh within tolerance regardless of load application point.



High Robustness

IL allows for 50% static overload without compromising the weighing performance. The nickel plated steel material provides good corrosion resistance suitable for most industrial applications.

IL Single Point Load Cell

The IL load cell features:

- OIML R60 C3 approved
- Off-center load compensated (R76)
- Up to 1000x1000 mm platform size
- IP67 protection class
- Nickel plated Steel

The IL is the ideal solution for hopper and bin weighing due to high capacities and large possible platform sizes. The mounting schema allows for direct bolting to a wall. The variety of capacities allows for wide application range.

IL Load Cell Specifications

Parameter	unit of measure	Specification				
		IL				
Model No.		150 (331)	250 (441)	500 (1102)	1000 (2204)	2000 (4408)
Rated Capacity (R.C.)	kg (lb, nominal)					
Rated Output	mV/V @R.C.	2 ± 0.002				
Zero load Output	%R.C.	≤ 1				
Combined Error ^{1), 2)}	%R.C.	≤ 0.02				
Repeatability Error	%A.L. ³⁾	≤ 0.01				
Creep, 30 minute	%A.L.	≤ 0.02				
Min. Dead Load Output Return (DR), 30 min	%A.L.	≤ 0.016				
Temperature Effect on	Min. Dead load Output	%R.C./°C (./°F)				
	Sensitivity ²⁾	%A.L./°C (./°F)				
Temperature Range	Compensated	°C (°F)				
	Operating	-10 to +40 (+14 to +104)				
	Safe Storage	-20 to +65 (-4 to +150)				
OIML / European Approval ⁴⁾	Safe Storage	-20 ~ +80 (-20 to +176)				
	OIML Cert. No.	R60/2000-NL-02.11				
	European Cert. No.	TC 6042				
	Class	C3				
	nmax	3000				
	Y	5000				
	PLC	0.7				
Excitation Voltage	Humidity Symbol	none				
	Recommended	V AC/DC				
Terminal Resistance	Max.	V AC/DC				
	Excitation	Ω				
Insulation Resistance @50VDC	Output	v				
		MΩ				
Breakdown Voltage		≥ 5000				
	Spring Element	V AC				
	Enclosure	Nickel plated alloy steel				
	Cable entry fitting	none				
Protection	Cable	304				
	Type	PVC				
Load Limit	IP Rating	potted				
	Safe	IP67				
Safe Dynamic Load	Ultimate	%R.C.				
		150				
Fatigue Life		%R.C.				
		300				
Direction of Loading		%R.C.				
		70				
Weight, nominal		cycles @R.C.				
		> 1.000.000				
Cable		compression				
	Length	kg (lb)				
Barometric Pressure Effect on Zero Load Output	Diameter	4.15 (9.2)				
		5 (11.6)				
Safe Side Load		m (ft)				
		5.8 (0.23)				
Overload Protection		kg/kPa (lb/in.Hg)				
		none				
Mounting Screw		%R.C.				
		100				
	Grade	no				
	Size/thread	12.9				
Max Platter Size	Engaged Length	mm				
	Torque, nominal	M14				
Off Center Load Error @33%R.C.		mm (in)				
		25 ¹⁾				
		N.m (ft-lb)				
		98 (72)				
		196 (143)				
		cm x cm (in x in)				
		80X80 (3.15x3.15)				
		100X100 (3.93x3.93)				
		%A.L./cm (./in)				
		0.0045 (0.011)				
		0.0035 (0.0087)				

¹⁾ Error due to the combined effect of non-linearity and hysteresis

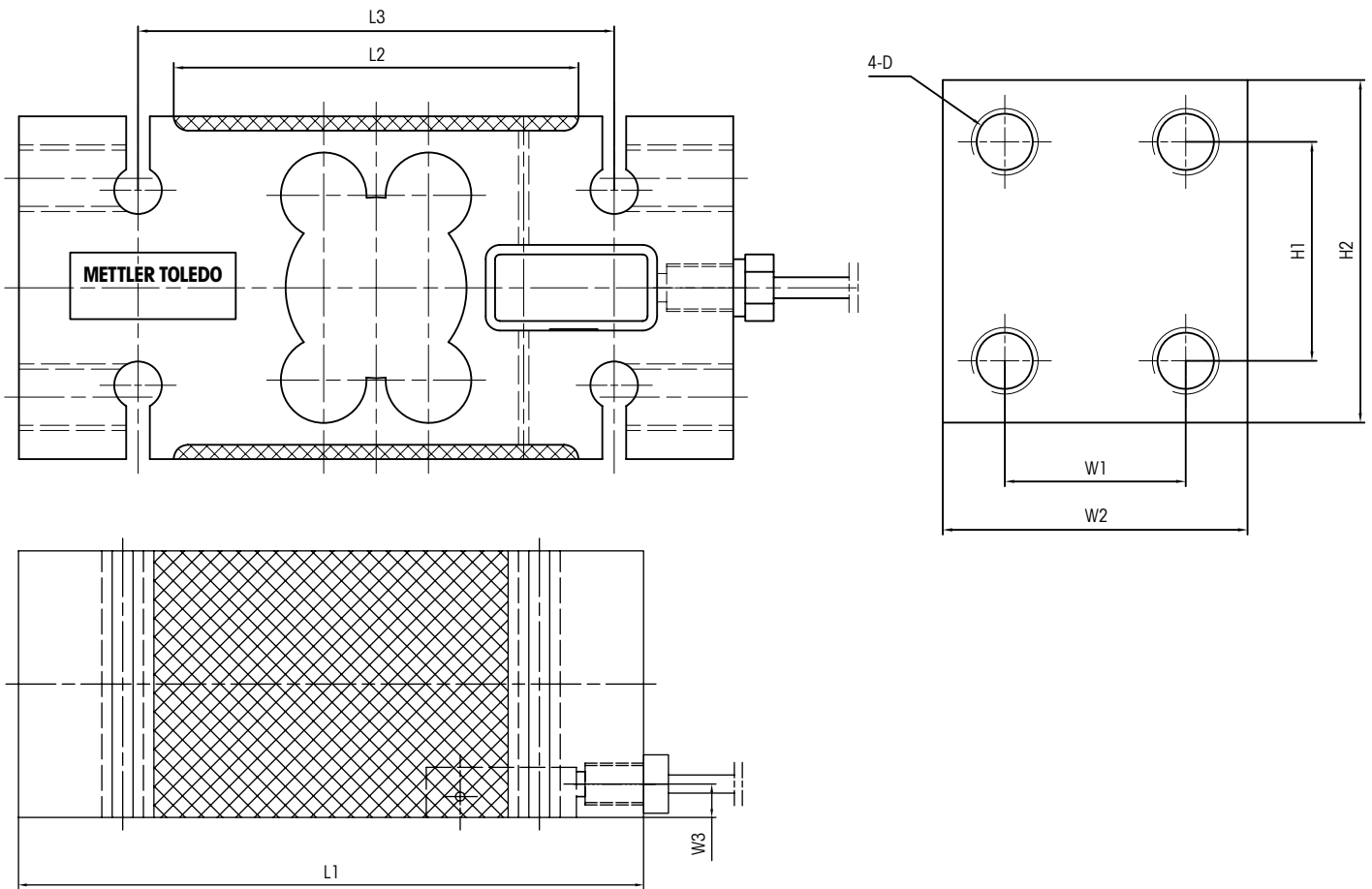
²⁾ Typical values only. The sum of errors due to Combined Error and Temperature Effect on Sensitivity comply with the requirements of OIML R60 and NIST HB44.

³⁾ A.L. = Applied Load

⁴⁾ See certificate for complete information



IL Load Cell Dimensional Drawings mm [inch]



Capacity	Dimensions and locations								
	D	H1	H2	L1	L2	L3	W1	W2	W3
150kg–1000kg [330–2204lb]	M14	46 [1.81]	72 [2.83]	150 [5.91]	85 [3.35]	100 [3.94]	38 [1.50]	64 [2.52]	8 [0.31]
2000kg [4409lb]	M16	55 [2.17]	80 [3.15]	150 [5.91]	85 [3.35]	100 [3.94]	42 [1.65]	72 [2.83]	8 [0.31]

IL Load Cell Order Information

Description	Item No.
Load cell, model no. IL-150KG-5M	71209638
Load cell, model no. IL-250KG-5M	71209639
Load cell, model no. IL-500KG-5m	71209635
Load cell, model no. IL-1000KG-5M	71209640
Load cell, model no. IL-2000KG-5M	71210636

IL Load Cell Cable Colours

Colour	Function
Green	+ Excitation
Black	- Excitation
White	+ Signal
Red	- Signal
Yellow	+ Sense
Blue	- Sense
Yellow (long)	Shield

Full Connectivity

METTLER TOLEDO supplies various data communication interfaces that enable our sensors and instruments to communicate with your PLC, MES, or ERP systems.



OIML Approvals

The IL is provided with C3 approval acc. to OIML R60. Thus best weighing performance is guaranteed at all specified conditions. Benefit from METTLER TOLEDO experience.



Worldwide Services

Our extensive service network is among the best in the world and ensures maximum availability and service life of your product.

Weighing Electronics

METTLER TOLEDO offers a complete family of electronics from simple weighing to application solutions for filling, stock control, batching, formulation, counting, and checkweighing.



Quality certificate ISO 9001
Environment certificate ISO 14001

Subject to technical changes.
© 07/2007 Mettler-Toledo AG
Printed in Switzerland MTSI 44099190
MarCom Industrial

www.mt.com

Visit for more information